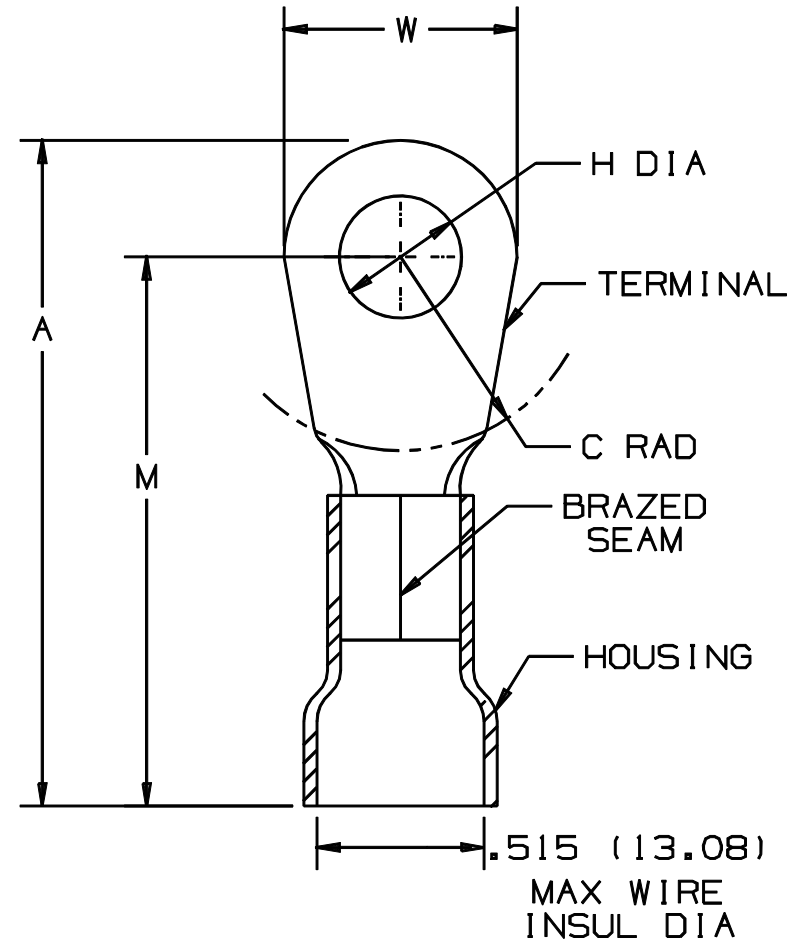


THIS COPY IS PROVIDED ON A RESTRICTED BASIS AND IS NOT TO BE USED IN ANY WAY DETRIMENTAL TO THE INTERESTS OF PANDUIT CORP.

PANDUIT PART NUMBER	STUD SIZE	DIMENSIONS in.				
		A $\pm .03$	W $\pm .01$	C $\pm .02$	M $\pm .03$	H $\pm .01$
PV4-10RX	#10	1.87 (47.5)	.55 (13.97)	.53 (13.46)	1.60 (40.64)	.20 (5.08)
PV4-14RX	1/4"	1.87 (47.5)	.55 (13.97)	.53 (13.46)	1.60 (40.64)	.27 (6.86)
PV4-56RX	5/16"	1.94 (49.28)	.68 (17.27)	.53 (13.46)	1.60 (40.64)	.33 (8.38)
PV4-38RX	3/8"	1.94 (49.28)	.68 (17.27)	.53 (13.46)	1.60 (40.64)	.39 (9.91)
PV4-12RX	1/2"	2.03 (51.56)	.86 (21.84)	.53 (13.46)	1.60 (40.64)	.52 (13.21)



NOTES:

- UL LISTED FOR:
 - 600V MAX VOLTAGE RATING
 - 221° F (105° C) MAX TEMP RATING
 - #4 AWG STRANDED COPPER WIRE
- PACKAGE QTY: STD. PKG. 20
BULK PKG. 200
- MATERIAL:
 - STAMPING - .050" (1.27) THK COPPER, TIN PLATED
 - HOUSING - VINYL, YELLOW
- DIMENSIONS IN BRACKETS ARE IN MILLIMETERS
- INSTALLATION TOOL: CT-720
- WIRE STRIP LENGTH: 1/2 ^{1/32} (12.7 ^{1/8})



A41221_04

04	1/01	KMD		CAD FILE SPEC. WAS N41221AA_PCD_03						PANDUIT CORP. TINLEY PARK, ILLINOIS #4 VINYL INSULATED RING TONGUE .515 (13.08) MAX. WIRE INSUL. DIAMETER	
03	2-95	MJC		UPDATED NOTES AND TOLERANCES	02996						
02	7-88	DW		REDRAWN WITH REVISIONS							
REV	DATE	BY	CHK	DESCRIPTION	ECN #	CUST	PM	DRAWN BY DAW	CHK'D	SCALE NONE	DRAWING NO. A41221